



EUROFLAME



Oil Condensing

Boilers

Muirfield Drive, Naas Road, Dublin 12
Tel: 01-4191919 Fax: 01-4584806
Email: info@hevac.ie
Web: www.hevac.ie

OUTDOOR



Outdoor Module HE Range
High efficiency boiler

Euroflame Module 5070
50,000-70,000BTU (15-21kW)

**Euro
1015**

Euroflame Module 7090
70,000-90,000BTU (21-26kW)

**Euro
1038**

Euroflame Module 90120
90,000-120,000BTU (26-33kW)

**Euro
1240**

BOILER HOUSE



Boiler house HE Range
High efficiency boiler * Price inclusive of balanced flue kit

Euroflame Boilerhouse 5070
50,000-70,000BTU (15-21kW)

**Euro
999**

Euroflame Boilerhouse 7090
70,000-90,000BTU (21-26kW)

**Euro
1038**

Euroflame Boilerhouse 90120
90,000-120,000BTU (26-33kW)

**Euro
1155**

UTILITY



Utility HE Range
High efficiency boiler * Price inclusive of balanced flue kit

Euroflame Utility 5070
50,000-70,000BTU (15-21kW)

**Euro
1060**

Euroflame Utility 7090
70,000-90,000BTU (21-26kW)

**Euro
1105**

Euroflame Utility 90120
90,000-120,000BTU (26-33kW)

**Euro
1279**

* All Prices are Exclusive of VAT
20th April 2009

TECHNICAL INFORMATION

GRANT INDOOR WHITE CASED MODELS (VORTEX AND EUROFLAME)

BOILER TYPE	OUTPUT KW	OUTPUT BTUS	FLOW CONNECTION	RETURN CONNECTION	COLD MAINS	HOT WATER	PRESSURE RELIEF	CONDENSATE PIPE	HEIGHT	WIDTH*	DEPTH	COND. DRAIN	FLOW/RETURN OPENING	FLOW/RETURN OPENING	FLOW/RETURN OPENING	FLOW/RETURN OPENING	FLUE DEPTH
									A	B	C	D	E	F	G	H	J
Vortex 50-70 Utility	15-21	50-70,000	22mm	22mm	-	-	-	3/4" (19mm) plastic overflow pipe	855	348	566	594	739	808	-	50	115
Vortex 50-90 Utility	15-26	50-90,000	22mm	22mm	-	-	-		860	470	603	587	710	760	812	40	115
Vortex 90-120 Utility	26-36	90-120,000	28mm	28mm	-	-	-		900	470	603	555	713	774	835	60	115
Vortex 120-155 Utility	36-46	120-155,000	28mm	28mm	-	-	-		900	470	603	555	713	774	835	60	115
Vortex 155-200 Utility	46-58	155-200,000	1 1/4"	1 1/4"	-	-	-		1234	563	786	831	1070	1150	-	50	120
Vortex 200-240 Utility	58-70	200-240,000	1 1/4"	1 1/4"	-	-	-		1234	563	786	831	1070	1150	-	50	120
Vortex 50-90S System	15-26	50-90,000	22mm	22mm	15mm	-	15mm		860	470	603	587	710	760	812	40	115
Vortex 90-120S System	26-36	90-120,000	28mm	28mm	15mm	-	15mm		900	470	603	555	713	774	835	60	115
Vortex 120-155S System	36-46	120-155,000	28mm	28mm	15mm	-	15mm		900	470	603	555	713	774	835	60	115
Euroflame Condensing 50-70 Utility	15-21	50-70,000	22mm	22mm	-	-	-		860	430	603	625	711	794	-	35	115
Euroflame Condensing 70-90 Utility	21-26	70-90,000	22mm	22mm	-	-	-		860	430	603	625	711	794	-	35	115
Euroflame Condensing 90-120 Utility	26-35	90-120,000	22mm	22mm	-	-	-		900	470	603	555	713	774	835	60	115
Vortex Combi 90 (26)	26	90,000	22mm	22mm	15mm	15mm	15mm		860	590	605	587	718	800	-	40	125
Vortex Combi 120 (36)	36	123,000	28mm	28mm	22mm	22mm	15mm		900	615	605	555	715	845	-	55	130

* = Allow an extra 60mm on left-hand side for drain connection

GRANT OUTDOOR GALVANISED CASED MODULES (VORTEX AND EUROFLAME)

BOILER TYPE	OUTPUT KW	OUTPUT BTUS	FLOW CONNECTION	RETURN CONNECTION	COLD MAINS	HOT WATER	PRESSURE RELIEF	CONDENSATE PIPE	HEIGHT	WIDTH*	DEPTH
									A	B	C
Outdoor Vortex 50-70 Module	15-21	50-70,000	22mm	22mm	-	-	-	3/4" (19mm) plastic overflow pipe	879	734*	385
Outdoor Vortex 50-90 Module	15-26	50-90,000	22mm	22mm	-	-	-		908	800*	505
Outdoor Vortex 90-120 Module	26-36	90-120,000	28mm	28mm	-	-	-		908	800*	505
Outdoor Vortex 120-155 Module	36-46	120-155,000	28mm	28mm	-	-	-		908	800*	505
Outdoor Euroflame Condensing 50-70 Module	15-21	50-70,000	22mm	28mm	-	-	-		908	800*	505
Outdoor Euroflame Condensing 70-90 Module	21-26	70-90,000	28mm	28mm	-	-	-		908	800*	505
Outdoor Euroflame Condensing 90-120 Module	26-35	90-120,000	22mm	28mm	-	-	-		908	800*	505
Outdoor Vortex Combi 90 (26)	26	90,000	22mm	22mm	15mm	15mm	15mm		945	754*	658
Outdoor Vortex Combi 120 (36)	36	123,000	28mm	28mm	22mm	22mm	15mm		945	754*	658

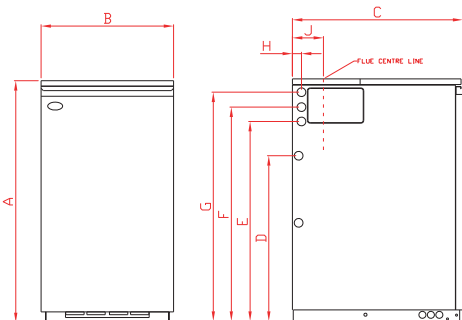
* = Add 215 for Flue guard

GRANT BOILER HOUSE BLUE CASED MODELS (EUROFLAME)

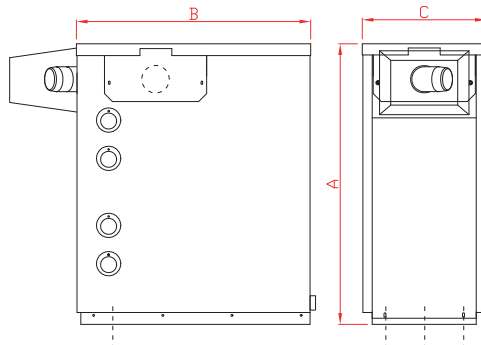
BOILER TYPE	OUTPUT KW	OUTPUT BTUS	FLOW CONNECTION	RETURN CONNECTION	CONDENSATE PIPE	HEIGHT	WIDTH*	DEPTH INCLUDING BURNER
						A	B	C
Euroflame Condensing 50-70 Boilerhouse	15-21	50-70,000	3/4"	22mm	3/4" (19mm) plastic overflow pipe	715	435	600
Euroflame Condensing 70-90 Boilerhouse	21-26	70-90,000	3/4"	22mm		715	435	600
Euroflame Condensing 90-120 Boilerhouse	26-35	90-120,000	1"	22mm		715	435	600

* = Allow an extra 60mm on left-hand side for drain connection

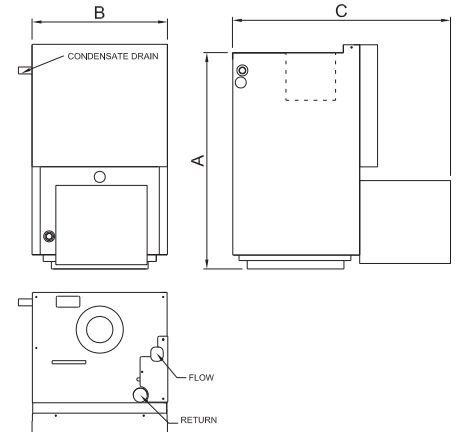
GRANT INDOOR WHITE CASED MODELS (VORTEX AND EUROFLAME)



GRANT OUTDOOR GALVANISED CASED MODULES (VORTEX AND EUROFLAME)

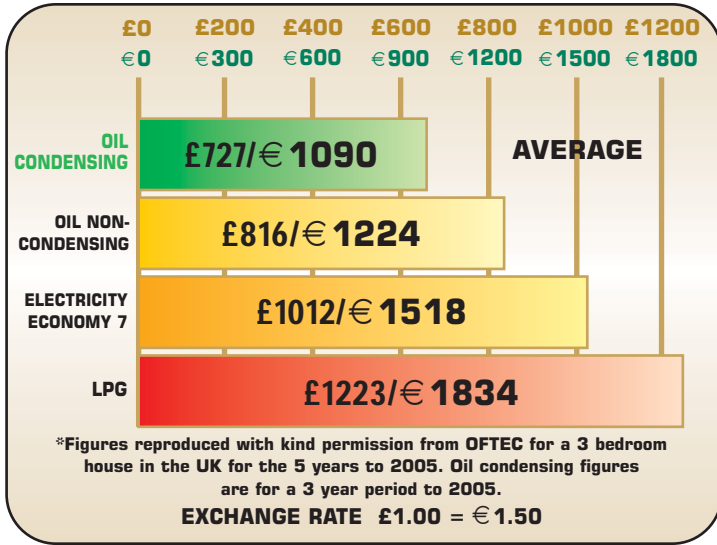


GRANT BOILER HOUSE BLUE CASED MODELS (EUROFLAME)



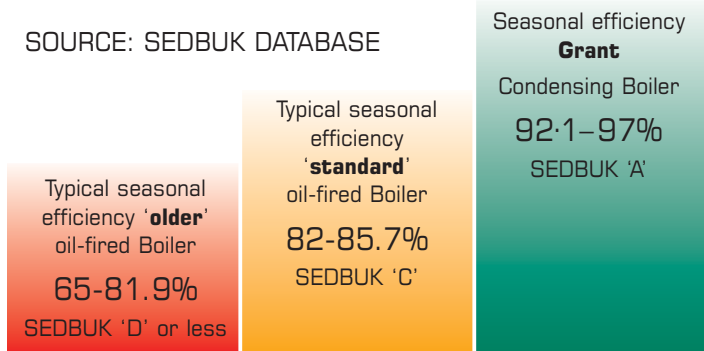
GENERAL INFORMATION

TYPICAL ANNUAL RUNNING COSTS COMPARISON*

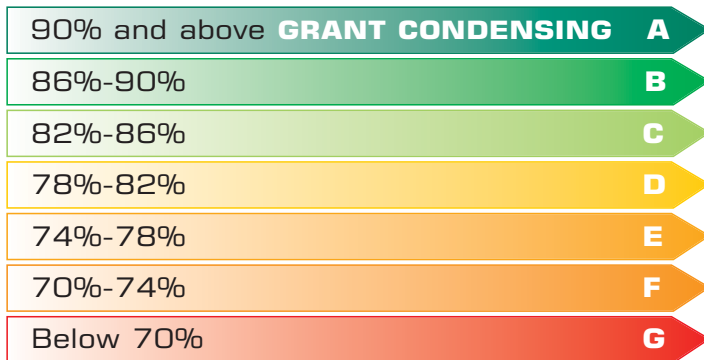


SEASONAL EFFICIENCY COMPARISONS

SOURCE: SEDBUK DATABASE



SEDBUK RATINGS TABLE



View online at SEDBUK: www.sedbuk.com or HARP: www.sei.ie for an up to the minute guide to gross seasonal efficiencies of domestic boilers.

In accordance with our policy of continual improvement, we reserve the right to amend specifications without prior notice.
 Manufactured under I.S. EN ISO 9001. Complies with the EC Low Voltage and Electromagnetic Compatibility and Boiler Efficiency Directives.
 "THE GRANT 'EZ-FIT FLUE' SYSTEM is a Trade Mark of Grant Engineering Ltd.
 ©Euroflame and Grant Vortex are registered trade marks of Grant Engineering Limited. The contents of this leaflet are fully protected by copyright and nothing may be reproduced without permission from Grant Engineering (Ireland) Limited.



Mixed Sources
 Product group from well-managed forests and other controlled sources
www.fsc.org CertNo. TSA-COC-001755
 © 1996 Forest Stewardship Council

EZ-FIT FLUE SYSTEMS

All Grant boilers are supplied for connection to either a 'stainless steel' conventional flue, or one of Grant's EZ-Fit Flue options. EZ-Fit Flue Kits feature self-sealing ducts which reduce installation time and ensure a perfect seal without the need for mastic or tape. The flue systems are available as low level, high level or vertical kits, for internal and external applications, and even as unique EZ-Flexi Packs, designed to enable condensing boilers to utilise an existing chimney.

PLUMBING

Condensing boilers operate at extremely high efficiency levels, producing cool flue gas temperatures, resulting in a 'plume' of vapour being visible at the flue terminal. This plume (steam) is a normal condition of condensing boiler operation and indicates that the appliance is working efficiently. As an alternative to a low level balanced flue kit, high level, or vertical kits are available, which moves the plume to a higher level.

FUEL

All burners are supplied factory set at the stated output for use on standard grade Kerosene - Class C2. Grant Condensing Boilers are not suitable for use with Class D gas oil.

INSTALLATION

Installation must comply with the current Building Regulations. Comprehensive technical information can be found in the installation manual, supplied with every boiler.

GUARANTEES

The unique heat exchanger on the Grant Condensing Boiler is covered by a 5-year guarantee. All other component parts of the boiler are guaranteed for 1 year from the date of purchase (excluding consumable items), subject to being installed in accordance with the manufacturers instructions. On completion of the installation all Grant Condensing Boilers must be commissioned.

AFTER SALES SERVICE

For peace of mind, all Grant Condensing Boilers are backed by a national network of service engineers. In the unlikely event of a problem occurring, your installer should telephone our customer service department on: **(057) 9120089**



GRANT ENGINEERING (IRELAND) LTD. CRINKLE, BIRR, Co. OFFALY, IRELAND
TELEPHONE (057) 9120089 FAX (057) 9121060
EMAIL info@grantengineering.ie WEBSITE www.grantengineering.ie

GRANT OIL-FIRED CONDENSING RANGE

**UNIQUE OIL-FIRED
CONDENSING BOILERS
FOR INTERNAL AND EXTERNAL
INSTALLATIONS WITH OUTPUTS
FROM 50,000 TO 240,000Btu/h**



**PRODUCTS AVAILABLE IN
THIS RANGE:**

VORTEX

**GRANT CONDENSING
INDOOR MODELS**

**GRANT CONDENSING INDOOR
SYSTEM MODELS**

**GRANT CONDENSING INDOOR
COMBI MODELS**

**GRANT CONDENSING
OUTDOOR MODULES**

**GRANT CONDENSING OUTDOOR
COMBI MODULES**

EUROFLAME

**GRANT CONDENSING
INDOOR MODELS**

**GRANT CONDENSING
BOILER HOUSE MODULES**

**GRANT CONDENSING
OUTDOOR MODULES**



EFFICIENT HEATING SOLUTIONS

GRANT VORTEX CONDENSING RANGE

Grant Vortex Condensing Indoor Models

Indoor Models: 50-70 (15-21), 50-90 (15-26), 90-120 (26-36), 120-155 (36-46), 155-200 (46-58) & 200-255 (58-70).

System Models: 50-90 (15-26), 90-120 (26-36), 120-155 (36-46).

- 1 Boiler Thermostat
- 2 Overheat Thermostat
- 3 Boiler ON/OFF Switch
- 4 Front Service Access Door
- 5 Drain Cock
- 6 Riello RDB Burner
- 7 Reversible Heating Flow & Return (Not shown)
- 8 Condensate Drain (Not shown)



MODEL SHOWN VORTEX INDOOR 50-90

Grant Vortex Condensing Outdoor Modules

Outdoor Models: 50-70 (15-21), 50-90 (15-26), 90-120 (26-36) & 120-155 (36-46)

- 1 Control Panel (Incorporating Frost Stat)
- 2 Optional Side Flue Exit
- 3 Optional Pipe Entry Points
- 4 Riello RDB Burner
- 5 Mains Isolating Switch
- 6 Test Switch



Outdoor Module with fitted stainless steel terminal guard



MODEL SHOWN VORTEX OUTDOOR 90-120

GRANT VORTEX COMBI CONDENSING RANGE

Grant Vortex Condensing Indoor Combi Models

Indoor Models: 90 (26) & 123 (36)

- 1 Optional Timer Kit Position
- 2 Store Isolation Switch
- 3 Low Pressure Warning Neon
- 4 Electronic Boiler Thermostat
- 5 12 litre Expansion Vessel
- 6 Chrome Plated Piping
- 7 Blending Valve
- 8 Pump (Hot Water Circuit)
- 9 Flexible Filling Loop
- 10 35 Plate Heat Exchanger
- 11 Primary Store Drain Cock
- 12 Riello RDB Burner
- 13 Front Service Access



MODEL SHOWN VORTEX COMBI 90 (26)

Grant Vortex Condensing Outdoor Combi Modules

Outdoor Models: 90 (26) & 123 (36)



MODEL SHOWN VORTEX OUTDOOR COMBI 90

- 1 Built-in system pressure gauge
- 2 Low pressure warning neon
- 3 Electronic boiler thermostat
- 4 Expansion Vessel
(Size varies depending on model)
- 5 Chrome plate
- 6 Blending valve
- 7 Pump (hot water circuit)
- 8 Flexible filling loop
- 9 Riello RDB burner



TYPICAL HOT WATER PERFORMANCE

90 (26)*

17 litres per minute at an average temperature of 50°C. Recovery time is approximately 4 minutes. Based upon 100 litre draw off.

123 (36)*

20 litres per minute at an average temperature of 50°C. Recovery time is approximately 3 minutes. Based upon 100 litre draw off.

MAINS WATER PRESSURE

Minimum 2.5bar (36psi)
Maximum 8bar (115psi)

*Hot water flow rate is dependent on mains pressure available. Figures based upon an incoming mains water temperature of 10°C.

GRANT EUROFLAME CONDENSING RANGE

Grant Euroflame Condensing Outdoor Modules

Outdoor Models: 50-70, 70-90 & 90-120

- Control Panel (Incorporating Frost Stat)
- Optional Side Flue Exit
- Optional Pipe Entry Points
- Riello RDB Burner
- Mains Isolating Switch
- Test Switch



MODEL SHOWN VORTEX EUROFLAME OUTDOOR 50-90



MODEL SHOWN BOILER HOUSE 50-90

Grant Euroflame Condensing Boiler House Models

Outdoor Models: 50-70, 70-90 & 90-120

- Front service access door
- Boiler thermostat
- Overheat thermostat
- Riello RDB Burner
- Insulated blue jacket



Grant Euroflame Condensing Indoor Models

Outdoor Models: 50-70, 70-90 & 90-120

- Boiler Thermostat
- Overheat Thermostat
- Boiler ON/OFF Switch
- Front Service Access Door
- Drain Cock
- Riello RDB Burner
- Reversible Heating Flow (Not shown)
- Condensate Drain (Not shown)



MODEL SHOWN EUROFLAME INDOOR 50-90

GRANT OIL-FIRED CONDENSING RANGE

**UNIQUE OIL-FIRED
CONDENSING BOILERS
FOR INTERNAL AND EXTERNAL
INSTALLATIONS WITH OUTPUTS
FROM 50,000 TO 240,000Btu/h**



**PRODUCTS AVAILABLE IN
THIS RANGE:**

VORTEX

**GRANT CONDENSING
INDOOR MODELS**

**GRANT CONDENSING INDOOR
SYSTEM MODELS**

**GRANT CONDENSING INDOOR
COMBI MODELS**

**GRANT CONDENSING
OUTDOOR MODULES**

**GRANT CONDENSING OUTDOOR
COMBI MODULES**

EUROFLAME

**GRANT CONDENSING
INDOOR MODELS**

**GRANT CONDENSING
BOILER HOUSE MODULES**

**GRANT CONDENSING
OUTDOOR MODULES**



EFFICIENT HEATING SOLUTIONS